

Hand-free door opener

Ergonomic top piece for elbows to open doors hand-free

Item-no.: 9530x0000 anthracite (similar to RAL 7012) | 9560x0000 white (similar to RAL 9010) | 9570x0000 green (similar to RAL6018) | 9580x0000 blue (similar to RAL5002)



Clean  Health[®]

Hand-free operation to minimize the risk of transferring and being infected by infectious diseases

Ergonomic design for easy and safe use with elbow or forearm

Surface of glass fiber reinforced plastic, which is easy to clean and disinfect

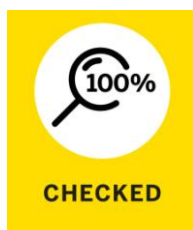
Suitable for angular and round door handles with a diameter of 16 – 24mm

Easy and secure installation due to integrated grid

Available in different colours

Complete set incl. stainless steel screws and nuts

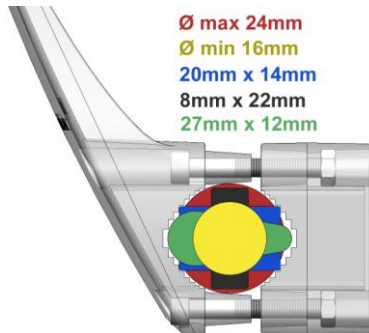
Product made in Germany



Hand-free door opener

Technical data

Suitable for installation on angular and round door handles with a diameter of 16 – 24 mm.



Set consists of:

- 1x Front part
- 1x Back part
- 4x Inner hexagonal screws (M4x30)
made of stainless steel
- 4x Nuts

Tools needed:

- Allen wrench 3mm
(NOT included in the delivery)



EAN:
 4012096008033 (white)
 4012096008040 (grey)
 4012096008019 (green)
 4012096008026 (blue)

Dimensions (mm):
 L x W x H
 105 x 71 x 78

Packaging Unit:
 1 Pc. / 100 Pcs.